



# L2605 L2685-L2610

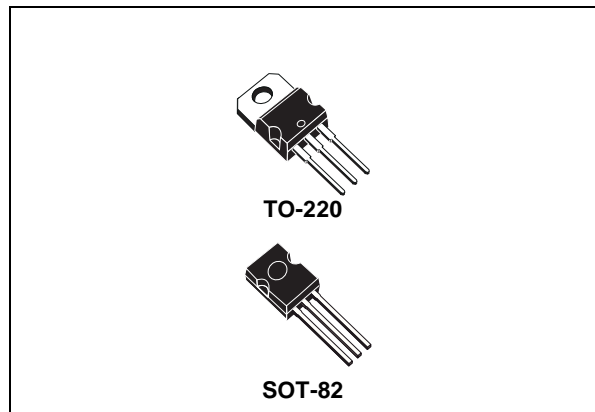
## LOW DROPOUT VOLTAGE REGULATORS

- OUTPUT VOLTAGE OF 5, 8.5 AND 10 V
- OUTPUT CURRENT UP TO 500 mA
- NO EXTERNAL COMPONENTS
- LOW DROP OUT VOLTAGE
- OVERVOLTAGE PROTECTION ( $\pm 100V$ )
- REVERSE VOLTAGE PROTECTION
- SHORT CIRCUIT PROTECTION
- CURRENT LIMITING
- THERMAL SHUTDOWN

### DESCRIPTION

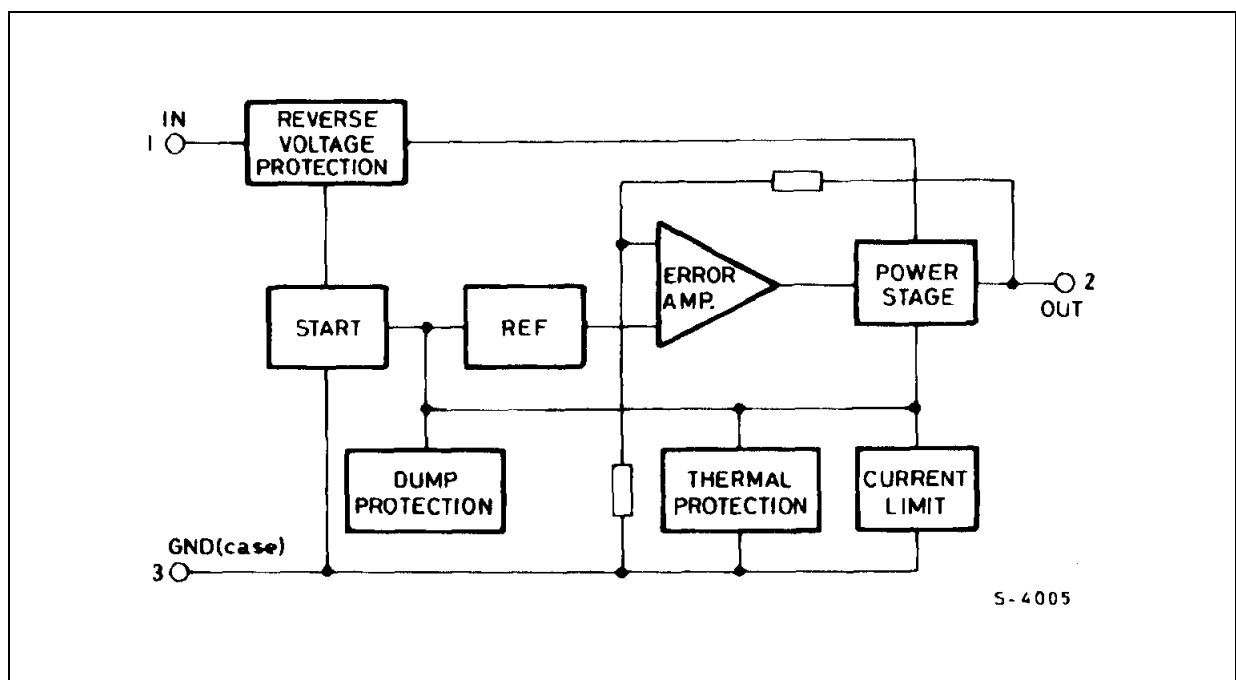
The L2600 series of three terminal positive regulators is specially designed to stabilize power supplies for car instrumentation in vehicles with 12V battery. Available with output voltages equal to 5V, 8.5 V, 10V, they can supply an output current to 500mA.

These devices are protected against load dump and field decay transients ( $\pm 100V$ ), reverse battery, short circuit and thermal overload.



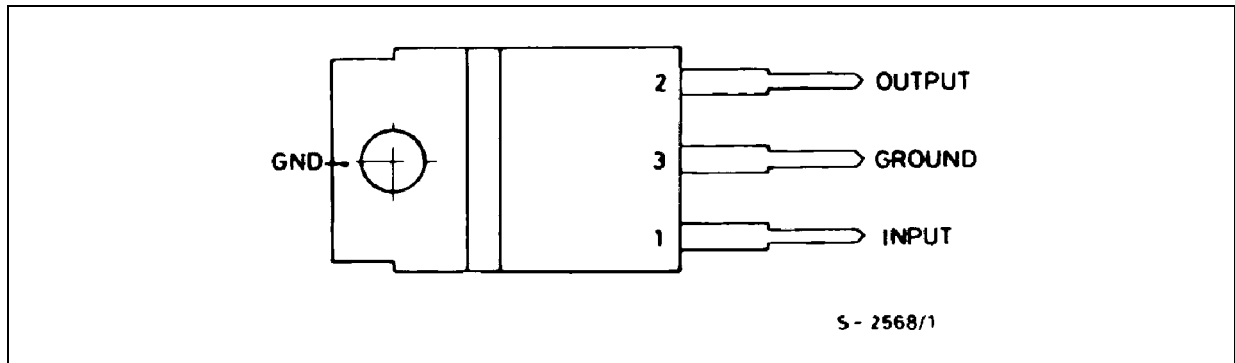
Order codes		Output Voltage
TO-220	SOT-82	
L2605V	L2605X	5V
L2685V	L2685X	8.5V
L2610V	L2610X	10V

### BLOCK DIAGRAM



## L2685-L2610 L2605

### PIN CONNECTION (Top view)



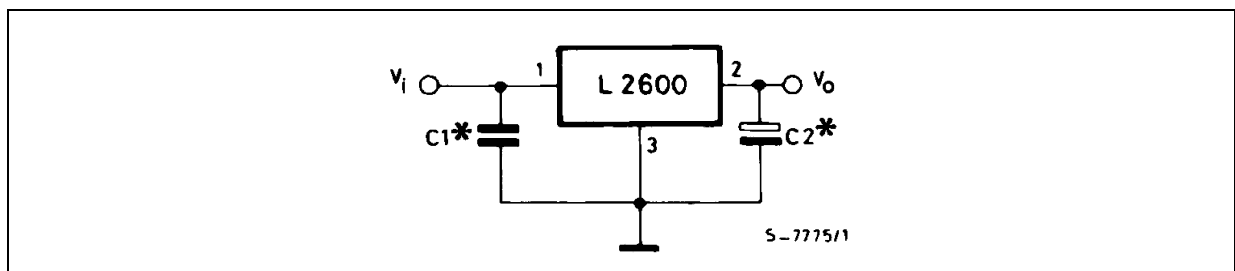
### ABSOLUTE MAXIMUM RATINGS

Symbol	Parameter	Value	Unit
	DC Input Voltage	35	V
	DC Input Reverse Voltage	-28	V
	Transient Input Overvoltage:		
	Load Dump:	+100	V
	5ms ≤ t <sub>rise</sub> ≤ 10ms		
	τ <sub>f</sub> Fall Time Constant = 100ms,		
	R <sub>source</sub> ≥ 0.5 Ω		
	Field Decay:	-100	V
	5ms ≤ t <sub>fall</sub> ≤ 10ms		
	τ <sub>r</sub> Rise Time Constant = 33ms,		
	R <sub>source</sub> ≥ 10Ω		
P <sub>D</sub>	Power Dissipation	internally Limited	
T <sub>j</sub> , T <sub>stg</sub>	Junction and Storage Temperature Range	-55 to 150	°C

### THERMAL DATA

Symbol	Parameter		SOT-82	TO-220	Unit
R <sub>th-j-case</sub>	Thermal resistance junction-case	Max	8	4	°C/W
R <sub>th-j-amb</sub>	Thermal resistance junction-ambient	Max	100	75	°C/W

### APPLICATION CIRCUIT



(\*) **Note** : C1 and C2 are only needed if the load capacitance exceeds 1000 pF, Recommended values are C1 = 0.1 μF and C2 ≥ 100 μF.

**ELECTRICAL CHARACTERISTICS** ( $T_j = 25\text{ }^\circ\text{C}$ ,  $V_i = 14\text{V}$ , unless otherwise specified)

Symbol	Parameter	Test Condition	Min.	Typ.	Max.	Unit
$V_o$	Output Voltage	$I_o = 500\text{ mA}$ $V_i = 12\text{ to }16\text{ V (L2605)}$ $V_i = 12\text{ to }16\text{ V (L2685)}$ $V_i = 12\text{ to }16\text{ V (L2610)}$	4.80 8.15 9.60	5.00 8.50 10.00	5.20 8.85 10.40	V V V
$V_i$	Operating Input	See Note (*)			28	V
$\frac{\Delta V_o}{V_o}$	Line Regulation	$I_o = 50\text{ mA}$ ; $V_i = 12\text{ to }20\text{ V}$		2	8	mV/V
	Load Regulation	$V_i = 14\text{ V}$ ; $I_o = 50\text{ to }500\text{ mA}$		4	9	mV/V
$\Delta V_{i-o}$	Dropout Voltage	$I_o = 500\text{ mA}$			1.9	V
$I_d$	Quiescent Current	$I_o = 50\text{ mA}$		20	45	mA
$\frac{\Delta V_o}{\Delta T}$	Output Voltage Drift	$I_o = 50\text{ mA}$ $V_i = 14\text{ V}$ ; $T_{\text{amb}} = -12\text{ to }80\text{ }^\circ\text{C}$		-1		mV/ $^\circ\text{C}$
$I_{sc}$	Output Short Circuit Current			1.1	1.8	A
SVR	Supply Voltage Rejection	$V_i = 16\text{V}$ ; $V_i = 2\text{ V}$ $f = 100\text{ Hz}$ ; $I_o = 500\text{ mA}$		60		dB
$R_o$	Output Resistance	$I_o = 500\text{ mA}$		0.05		$\Omega$
$e_N$	Output Noise Voltage	BW = 100 Hz to 10 KHz		20		$\mu\text{V}$

(\*) **Note:** For DC input voltage  $28\text{ V} < V_i < 35\text{ V}$  the device is not operating

**ELECTRICAL CHARACTERISTICS** ( $T_j = 25\text{ }^\circ\text{C}$ ,  $V_i = 14\text{V}$ , unless otherwise specified)

Symbol	Parameter	Test Condition	Min.	Typ.	Max.	Unit
$V_o$	Output Voltage	$I_o = 500\text{ mA}$ $V_i = 12\text{ to }16\text{ V (L2605)}$ $V_i = 12\text{ to }16\text{ V (L2685)}$ $V_i = 12\text{ to }16\text{ V (L2610)}$	4.70 8.00 9.40	5.00 8.50 10.00	5.30 9.05 10.60	V V V
$V_i$	Operating Input	See Note (1)			26	V
$\frac{\Delta V_o}{V_o}$	Line Regulation	$I_o = 50\text{ mA}$ ; $V_i = 12.5\text{ to }20\text{ V}$		3	12	mV/V
	Load Regulation	$V_i = 14\text{ V}$ ; $I_o = 50\text{ to }500\text{ mA}$	5	13		mV/V
$\Delta V_{i-o}$	Dropout Voltage	$I_o = 500\text{ mA}$			2.5	V
$I_d$	Quiescent Current	$I_o = 50\text{ mA}$		29	65	mA
$I_{sc}$	Output Short Circuit Current			1.1	2.1	A

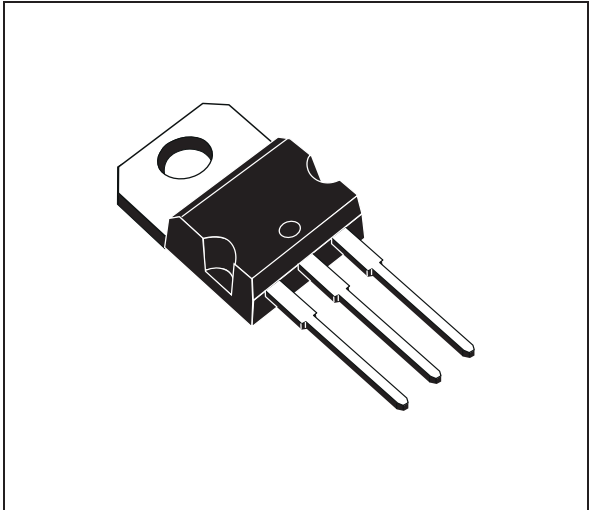
Notes: 1. For a DC input voltage  $26\text{ V} < V_i < 35\text{ V}$  the device is not operating.

2. The limits are guaranteed by design correlation and statistical control on production samples over the indicated temperature and supply voltage ranges.

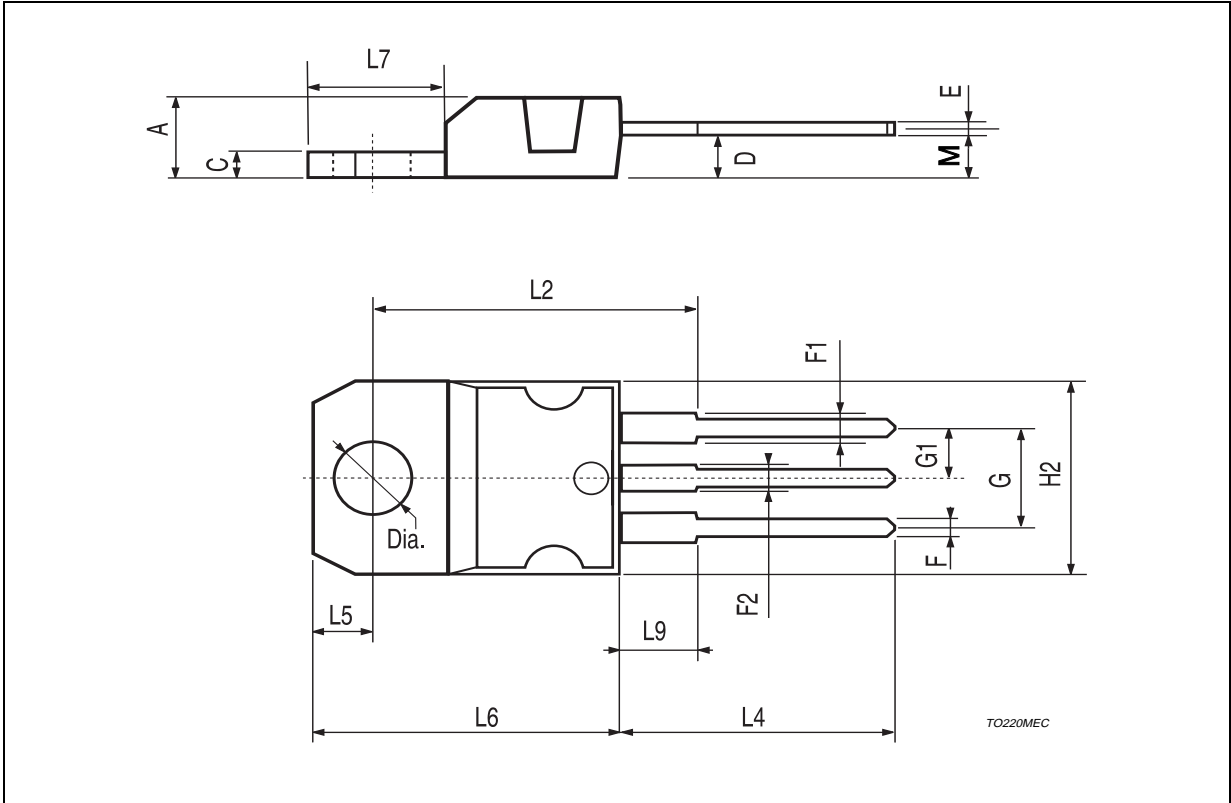
**L2685-L2610 L2605**

DIM.	mm			inch		
	MIN.	TYP.	MAX.	MIN.	TYP.	MAX.
A	4.40		4.60	0.173		0.181
C	1.23		1.32	0.048		0.051
D	2.40		2.72	0.094		0.107
E	0.49		0.70	0.019		0.027
F	0.61		0.88	0.024		0.034
F1	1.14		1.70	0.044		0.067
F2	1.14		1.70	0.044		0.067
G	4.95		5.15	0.194		0.203
G1	2.40		2.70	0.094		0.106
H2	10.0		10.4	0.393		0.409
L2		16.4			0.645	
L4	13.0		14.0	0.511		0.551
L5	2.65		2.95	0.104		0.116
L6	15.25		15.75	0.600		0.620
L7	6.20		6.60	0.244		0.260
L9	3.50		3.93	0.137		0.154
M		2.6			0.102	
Dia	3.75		3.85	0.147		0.151

**OUTLINE AND MECHANICAL DATA**

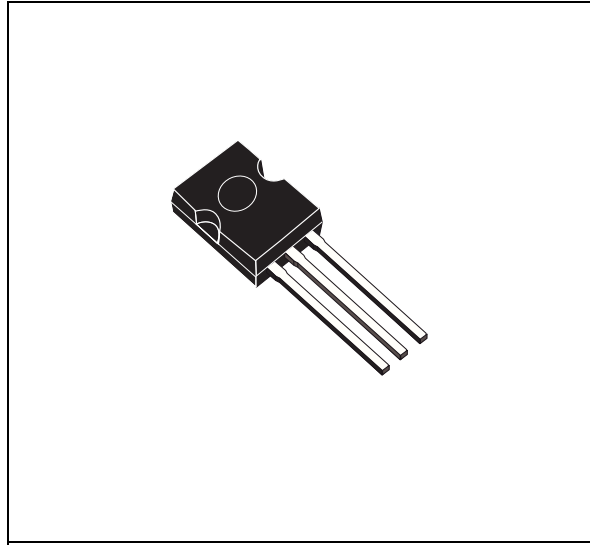


**Versawatt (TO-220)**

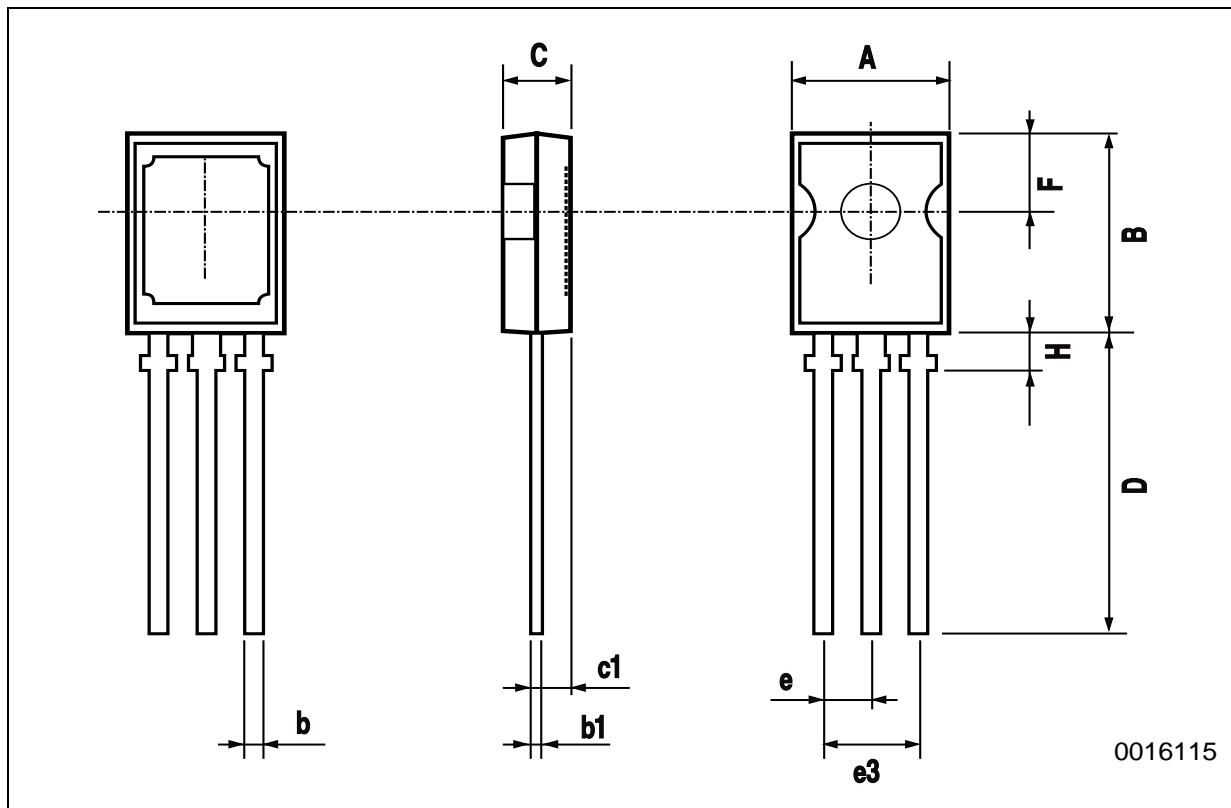


DIM.	mm			inch		
	MIN.	TYP.	MAX.	MIN.	TYP.	MAX.
A	7.4		7.8	0.291		0.307
B	10.5		10.8	0.413		0.425
b	0.7		0.9	0.028		0.035
b1	0.49		0.75	0.019		0.030
C	2.4		2.7	0.094		0.106
c1		1.2			0.047	
D		15.7			0.618	
e		2.2			0.087	
e3		4.4			0.173	
F		3.8			0.150	
H			2.54		0.100	

**OUTLINE AND MECHANICAL DATA**



**SOT-82**



0016115

Information furnished is believed to be accurate and reliable. However, STMicroelectronics assumes no responsibility for the consequences of use of such information nor for any infringement of patents or other rights of third parties which may result from its use. No license is granted by implication or otherwise under any patent or patent rights of STMicroelectronics. Specifications mentioned in this publication are subject to change without notice. This publication supersedes and replaces all information previously supplied. STMicroelectronics products are not authorized for use as critical components in life support devices or systems without express written approval of STMicroelectronics.

STMicroelectronics acknowledges the trademarks of all companies referred to in this document.

The ST logo is a registered trademark of STMicroelectronics  
© 2003 STMicroelectronics - All Rights Reserved

STMicroelectronics GROUP OF COMPANIES  
Australia - Brazil - Canada - China - Finland - France - Germany - Hong Kong - India - Israel - Italy - Japan - Malaysia - Malta - Morocco -  
Singapore - Spain - Sweden - Switzerland - United Kingdom - United States.  
<http://www.st.com>